



Flange Pipe separator (FPS)

- A work tool to assist the precise assembly preparation for new main pipes from another existing main
- Assembly assisting product made of ductile cast iron EN-JS 1030 (GJS400-15)
- Epoxy coated inside and out in accordance with GSK guidelines
- Position holding for valve with installation length EN 558-1, range 15
- Flange connection dimension DIN EN 1092-2
- Hydrant connection for DN 80
- Protected in accordance with DBGM 20 2008 004 638.6

FPS



Size	Article No.	Weight
DN 80	15100	14.0 kg
DN 100	15200	16.0 kg
DN 150	15500	25.5 kg
DN 200	15700	41.0 kg
DN 300	15710	60.0 kg

Double FPS

Size	Article No.	Weight
DN 80	15300	22.0 kg
DN 100	15400	28.0 kg
DN 150	15600	41.0 kg
DN 200	15800	60.0 kg
DN 300	15810	90.0 kg

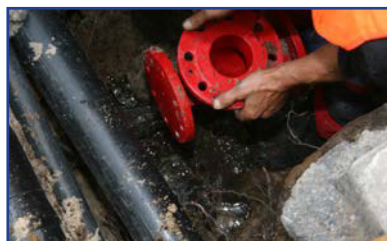


Assembly instruction

1. Install the FPS allowing separation and installation of a hydrant connection.



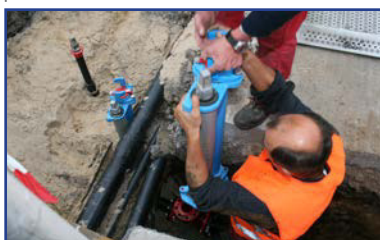
2. Install the FPS allowing separation and installation of a hydrant connection



3. Connect the active main to the hydrant and allow water to flow through the hydrant.



4. Disassemble the hydrant after flushing it through with water whilst checking that the hydrant has the right amount of water pressure.



5. Disassemble the FPS



6. Install the intended gate valve with the correct installation length in accordance with EN 558-1, range 15.

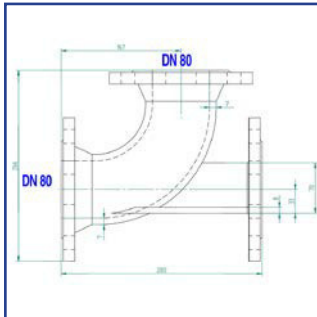




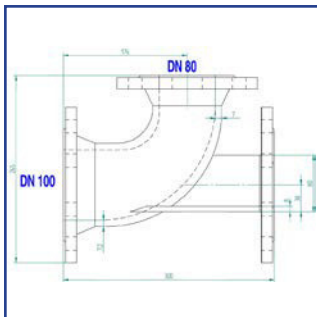
Flange Pipe separator (FPS)



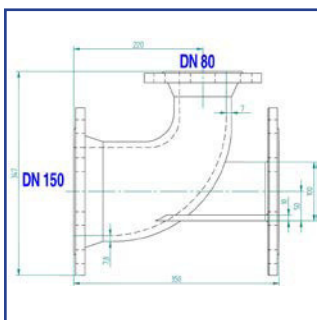
DN 80



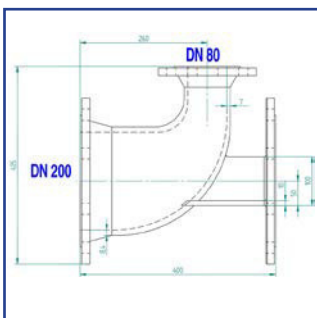
DN 100



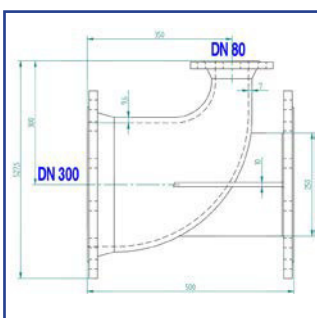
DN 150



DN 200



DN 300



Subject to technical modifications!