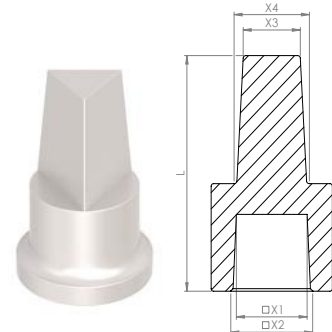




Triangular cap / ductile cast iron / galvanised*



Article No.	Description	X1/X2	X3/X4	Weight
12141.12-VK-VZ	33/43 galvanised	12/14 mm	33/43 mm	0.8 kg
12141.14-VK-VZ	33/43 galvanised	14/17 mm	33/43 mm	0.8 kg
12141.17-VK-VZ	33/43 galvanised	17/19 mm	33/43 mm	0.8 kg
12141.19-VK-VZ	33/43 galvanised	19/22 mm	33/43 mm	0.8 kg
12141.24-VK-VZ	33/43 galvanised	24/27 mm	33/43 mm	1.0 kg
12141.25-VK-VZ	33/43 galvanised	27/32 mm	33/43 mm	1.1 kg
13760.00-VK-VZ *	15/18 Tele2000, galvanised	12/14 mm	15/18 mm	0.4 kg
13766.00-VK-VZ *	15/18 Tele2000, without plate VAA	12/14 mm	15/18 mm	0.4 kg
13762.00-VK-VZ *	33/43 Tele2000, galvanised	18/18 mm	33/43 mm	0.7 kg

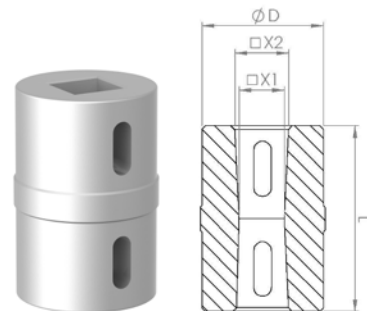


*with set screw M 10

Coupling / ductile cast iron / galvanised - conical both ends with slotted hole*



Article No.	Description	X1/X2	Weight
12329.00-VK-VZ	conical both ends	12/14 mm	0.5 kg
12134.00-VK-VZ	conical both ends DN 40/50 (SQ 14)	14/17 mm	0.5 kg
12135.00-VK-VZ	conical both ends DN 65/80 (SQ 17)	17/19 mm	0.6 kg
12136.00-VK-VZ	conical both ends DN 100-150 (SQ 19)	19/22 mm	0.8 kg
12330.00-VK-VZ	conical both ends DN 175/200 (SQ 24)	24/27 mm	1.0 kg
12137.00-VK-VZ	conical both ends DN 250-350 (SQ 27)	27/32 mm	1.3 kg
12139.00-VK-VZ	conical both ends DN 400/450 (SQ 32)	32/36 mm	2.1 kg
13758.00-VK-VZ	conical both ends DN 500/600 (SQ 36)	36/42 mm	4.8 kg

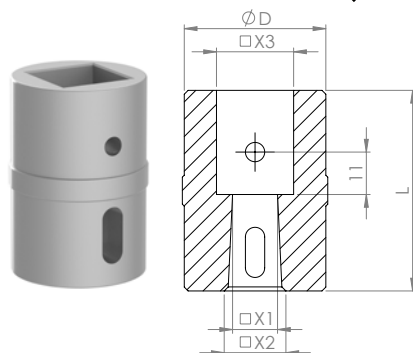


*Special and cross-drilled holes available upon request

Coupling GW336 / ductile cast iron / galvanised*



Article No.	Suitable for valve	X1/X2	X3	Weight
12133.05-VK-GW336	Service valves (SQ 12)	12/14 mm	20 mm	0.2 kg
12138.01-VK-GW336	DN 40/50 (SQ 14)	14/17 mm	25 mm	0.5 kg
12332.00-VK-GW336	DN 65/80 (SQ 17)	17/19 mm	25 mm	0.6 kg
12333.00-VK-GW336	DN 100-150 (SQ 19)	19/22 mm	25 mm	0.7 kg
12140.00-VK-GW336	DN 175/200 (SQ 24)	24/27 mm	30 mm	0.8 kg
12131.00-VK-GW336	DN 250-350 (SQ 27)	27/32 mm	30 mm	1.2 kg

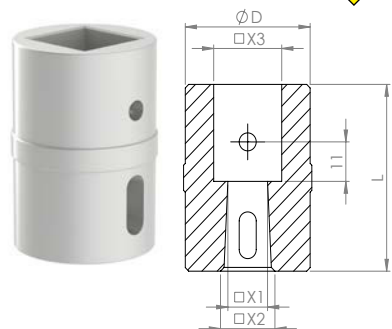


*Special and cross-drilled holes available upon request

Coupling GW336 / ductile cast stainless steel AISI304*



Coupling made of finely cast stainless steel				
Article No.	Suitable for valve	X1/X2	X3	Weight
12133.05-VA-GW336	Service valves (SQ 12)	12/14 mm	20 mm	0.2 kg
12138.01-VA-GW336	DN 40/50 (SQ 14)	14/17 mm	25 mm	0.5 kg
12332.00-VA-GW336	DN 65/80 (SQ 17)	17/19 mm	25 mm	0.6 kg
12333.00-VA-GW336	DN 100-150 (SQ 19)	19/22 mm	25 mm	0.7 kg
12140.00-VA-GW336	DN 175/200 (SQ 24)	24/27 mm	30 mm	0.8 kg
12131.00-VA-GW336	DN 250-350 (SQ 27)	27/32 mm	30 mm	1.2 kg



*Special and cross-drilled holes available upon request

Subject to technical modifications!