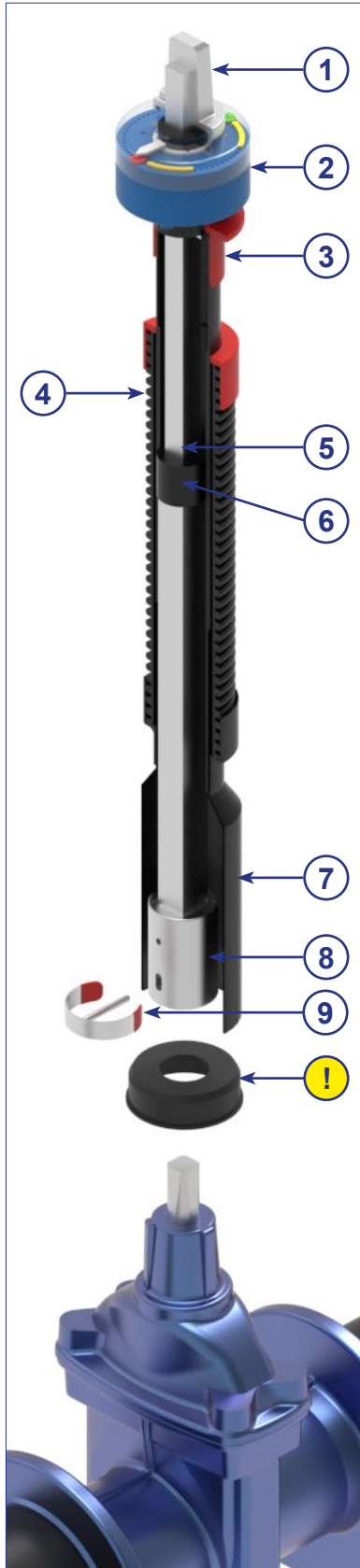


## Telescopic Spindle Extension T3 with position indicator



①



Square cap SQ27/32

②



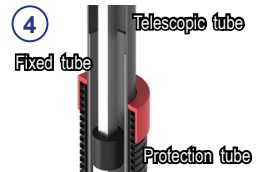
Position indicator  
made of plastic

③



Centring cap

④



Tubes

⑤



Transport lock

⑥



PE-brake

⑦



Round bell

⑧



Coupling

⑨



Clip-pin

!



Bell adapter  
(optional)



## Telescopic Spindle Extension T3 with position indicator



| Valve Spindle square            | CD*<br>Cover depth | Total length (L)**<br>Spindle extension | Article No. | Weight  |
|---------------------------------|--------------------|---|-------------|---------|
| Gate valve<br>DN40/50<br>SQ14   | 1.05 - 1.50 m      | 0.75 - 1.20 m                           | 20291       | 5.4 kg  |
|                                 | 1.30 - 1.80 m      | 0.98 - 1.61 m                           | 20292       | 5.7 kg  |
|                                 | 1.55 - 2.00 m      | 1.08 - 1.82 m                           | 20293       | 6.4 kg  |
|                                 | 1.75 - 2.70 m      | 1.45 - 2.56 m                           | 20294       | 8.3 kg  |
|                                 | 2.35 - 3.90 m      | 1.97 - 3.60 m                           | 20295       | 10.7 kg |
| Gate valve<br>DN65/80<br>SQ17   | 1.05 - 1.50 m      | 0.74 - 1.14 m                           | 20296       | 5.6 kg  |
|                                 | 1.30 - 1.80 m      | 0.90 - 1.45 m                           | 20297       | 6.2 kg  |
|                                 | 1.55 - 2.00 m      | 1.00 - 1.65 m                           | 20298       | 6.7 kg  |
|                                 | 1.75 - 2.70 m      | 1.37 - 2.41 m                           | 20299       | 8.6 kg  |
|                                 | 2.35 - 3.90 m      | 1.97 - 3.60 m                           | 20300       | 11.4 kg |
| Gate valve<br>DN100-150<br>SQ19 | 1.05 - 1.20 m      | 0.59 - 0.84 m                           | 20301       | 4.6 kg  |
|                                 | 1.25 - 1.50 m      | 0.69 - 1.05 m                           | 20302       | 5.5 kg  |
|                                 | 1.30 - 1.80 m      | 0.85 - 1.40 m                           | 20303       | 5.8 kg  |
|                                 | 1.55 - 2.00 m      | 1.00 - 1.64 m                           | 20304       | 6.6 kg  |
|                                 | 1.75 - 2.70 m      | 1.35 - 2.41 m                           | 20305       | 8.4 kg  |
|                                 | 2.35 - 3.90 m      | 1.97 - 3.60 m                           | 20306       | 11.3 kg |
| Gate valve<br>DN175/200<br>SQ24 | 1.15 - 1.30 m      | 0.57 - 0.79 m                           | 20307       | 5.1 kg  |
|                                 | 1.30 - 1.80 m      | 0.82 - 1.25 m                           | 20308       | 6.6 kg  |
|                                 | 1.55 - 2.00 m      | 0.91 - 1.46 m                           | 20309       | 7.4 kg  |
|                                 | 1.75 - 2.70 m      | 1.26 - 2.19 m                           | 20310       | 10.1 kg |
|                                 | 2.55 - 3.50 m      | 1.85 - 2.80 m                           | 20311       | 12.6 kg |
| Gate valve<br>DN250-350<br>SQ27 | 1.15 - 1.30 m      | 0.55 - 0.80 m                           | 20312       | 5.2 kg  |
|                                 | 1.35 - 1.80 m      | 0.76 - 1.15 m                           | 20313       | 6.4 kg  |
|                                 | 1.55 - 2.00 m      | 0.91 - 1.45 m                           | 20314       | 7.5 kg  |
|                                 | 1.85 - 2.70 m      | 1.21 - 2.05 m                           | 20315       | 9.6 kg  |
|                                 | 2.55 - 3.50 m      | 2.01 - 3.16 m                           | 20316       | 15.2 kg |
| Gate valve<br>DN400/450<br>SQ32 | 1.45 - 1.60 m      | 0.61 - 0.84 m                           | 20317       | 7.8 kg  |
|                                 | 1.65 - 2.05 m      | 0.81 - 1.22 m                           | 20318       | 9.1 kg  |
|                                 | 2.05 - 2.90 m      | 1.25 - 2.09 m                           | 20319       | 12.3 kg |
|                                 | 2.55 - 3.50 m      | 1.85 - 3.00 m                           | 20320       | 15.8 kg |
| Gate valve<br>DN500/600<br>SQ36 | 1.50 - 1.65 m      | 0.58 - 0.76 m                           | 20321       | 8.8 kg  |
|                                 | 1.70 - 2.10 m      | 0.80 - 1.16 m                           | 20322       | 10.2 kg |
|                                 | 2.15 - 2.70 m      | 1.18 - 1.86 m                           | 20323       | 12.5 kg |
|                                 | 2.55 - 3.50 m      | 1.85 - 2.80 m                           | 20324       | 16.8 kg |

\*Cover depth measurements depend on the height of the valve used, see p. 11.

\*\*Other lengths available upon request.