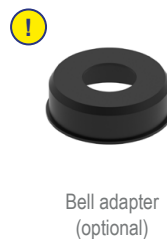
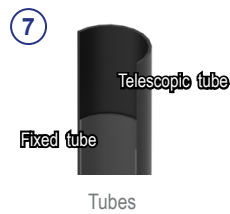
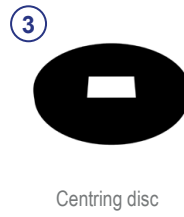
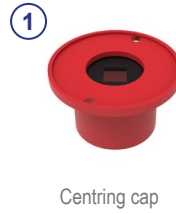
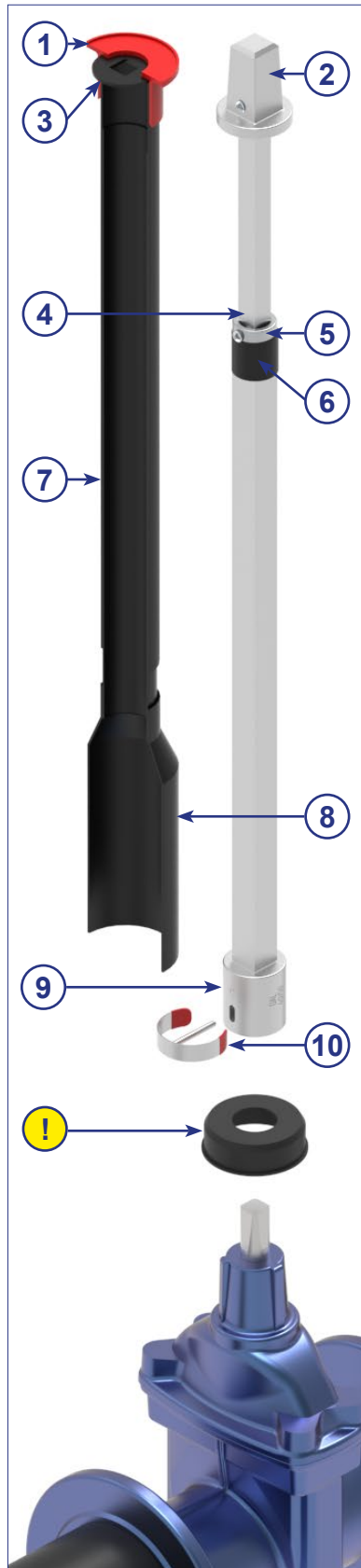


SPINDLE EXTENSIONS FOR GATE VALVES

Adjustable Spindle Extension



scan me!



SPINDLE EXTENSIONS FOR GATE VALVES

Adjustable Spindle Extension



Valve Spindle square	CD* Cover depth	Total length (L)** Spindle extension	Protection tube		Spindle extension		Complete	
			Article No.	Weight	Article No.	Weight	Article No.	Weight
Gate valve DN40/50 SQ14	0.75 - 1.00 m	0.47 - 0.70 m	13815	0.3 kg	13821	2.6 kg	13993	3.0 kg
	1.00 - 1.50 m	0.70 - 1.20 m	12066	0.4 kg	12065	3.6 kg	12060	4.0 kg
	1.25 - 1.80 m	0.93 - 1.61 m	12067	0.6 kg	12063	4.5 kg	12061	5.0 kg
	1.50 - 2.00 m	1.03 - 1.82 m	12068	0.6 kg	12064	4.8 kg	12062	5.4 kg
	1.70 - 2.70 m	1.40 - 2.56 m	14049	0.8 kg	14043	6.4 kg	14037	7.2 kg
	2.30 - 3.90 m	1.92 - 3.60 m	16921	1.1 kg	16901	8.4 kg	16911	9.5 kg
Gate valve DN65/80 SQ17	0.85 - 1.00 m	0.45 - 0.67 m	13816	0.3 kg	13822	2.7 kg	13994	3.0 kg
	1.00 - 1.50 m	0.69 - 1.14 m	12075	0.4 kg	12072	3.6 kg	12069	4.0 kg
	1.25 - 1.80 m	0.85 - 1.45 m	12076	0.6 kg	12073	4.2 kg	12070	4.7 kg
	1.50 - 2.00 m	0.95 - 1.64 m	12077	0.6 kg	12074	4.6 kg	12071	5.2 kg
	1.70 - 2.70 m	1.32 - 2.41 m	14050	0.8 kg	14044	6.1 kg	14038	6.9 kg
	2.30 - 3.90 m	1.92 - 3.60 m	16922	1.1 kg	16902	8.5 kg	16912	9.6 kg
Gate valve DN100-150 SQ19	0.80 - 0.95 m	0.40 - 0.58 m	13817	0.3 kg	13823	2.4 kg	13995	2.6 kg
	1.00 - 1.20 m	0.54 - 0.84 m	15061	0.3 kg	15060	2.9 kg	15059	3.2 kg
	1.20 - 1.50 m	0.64 - 1.05 m	13199	0.4 kg	12081	3.4 kg	12078	3.8 kg
	1.25 - 1.80 m	0.80 - 1.40 m	12085	0.5 kg	12082	4.0 kg	12079	4.5 kg
	1.50 - 2.00 m	0.95 - 1.64 m	12086	0.6 kg	12083	4.5 kg	12080	5.1 kg
	1.70 - 2.70 m	1.30 - 2.41 m	14051	0.8 kg	14045	6.0 kg	14039	6.8 kg
	2.30 - 3.90 m	1.92 - 3.60 m	16923	1.1 kg	16903	11.0 kg	16913	9.5 kg
Gate valve DN175/200 SQ24	0.90 - 1.00 m	0.36 - 0.44 m	15029	0.3 kg	13824	3.1 kg	13830	3.4 kg
	1.10 - 1.30 m	0.52 - 0.79 m	12093	0.4 kg	12090	4.0 kg	12087	4.4 kg
	1.25 - 1.80 m	0.77 - 1.25 m	12094	0.5 kg	12091	5.4 kg	12088	5.9 kg
	1.50 - 2.00 m	0.86 - 1.46 m	12095	0.6 kg	12092	6.0 kg	12089	6.5 kg
	1.70 - 2.70 m	1.21 - 2.19 m	14052	0.8 kg	14046	8.4 kg	14040	9.2 kg
	2.50 - 3.50 m	1.96 - 3.16 m	16924	1.1 kg	16904	11.4 kg	16914	12.6 kg
Gate valve DN 200-350 SQ27	1.00 - 1.10 m	0.37 - 0.49 m	15058	0.3 kg	15057	3.2 kg	15052	3.5 kg
	1.10 - 1.30 m	0.50 - 0.80 m	12101	0.4 kg	12098	4.1 kg	12096	4.5 kg
	1.30 - 1.80 m	0.71 - 1.15 m	12102	0.5 kg	12099	5.1 kg	12097	5.6 kg
	1.50 - 2.00 m	0.86 - 1.45 m	12103	0.5 kg	12100	6.1 kg	12104	6.6 kg
	1.80 - 2.70 m	1.16 - 2.05 m	14053	0.7 kg	14047	7.9 kg	14041	8.6 kg
	2.50 - 3.50 m	1.96 - 3.16 m	16925	1.1 kg	16905	11.4 kg	16915	12.6 kg
Gate valve DN400/450 SQ32	1.20 - 1.40 m	0.40 - 0.54 m	15031	0.4 kg	15030	5.8 kg	15053	6.2 kg
	1.40 - 1.60 m	0.56 - 0.84 m	13453	0.4 kg	13452	6.7 kg	12540	7.1 kg
	1.60 - 2.05 m	0.76 - 1.22 m	13480	0.6 kg	13479	7.8 kg	13478	8.3 kg
	2.00 - 2.90 m	1.20 - 2.09 m	15011	0.8 kg	15012	10.5 kg	15013	11.3 kg
Gate valve DN500/600 SQ36	1.25 - 1.40 m	0.36 - 0.50 m	15033	0.4 kg	15032	6.7 kg	14034	7.1 kg
	1.45 - 1.65 m	0.53 - 0.76 m	14031	0.4 kg	14033	7.2 kg	14035	7.6 kg
	1.65 - 2.10 m	0.75 - 1.16 m	15035	0.6 kg	15034	8.2 kg	15056	9.3 kg
	2.10 - 2.70 m	1.13 - 1.86 m	15037	0.7 kg	15036	11.2 kg	15016	11.9 kg

*Cover depth measurements depend on the height of the valve used, see p. 11.

**Other lengths available upon request.