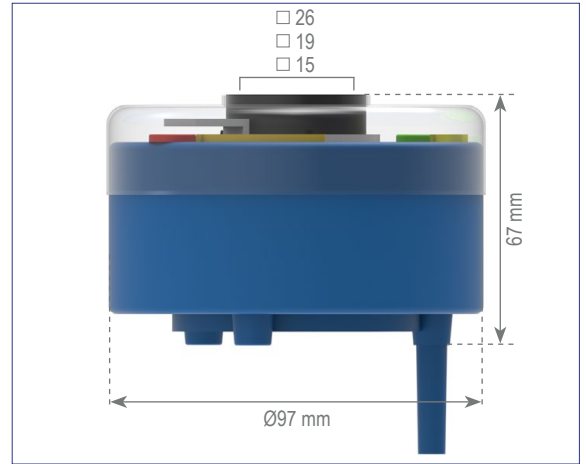
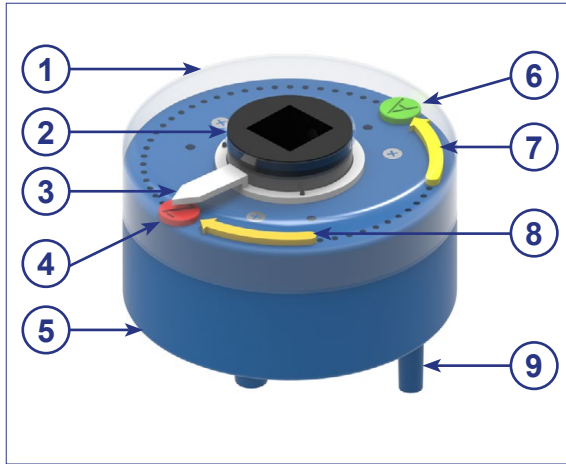


POSITION INDICATORS

Mechanical position indicator, plastic



①



Protective cover,
transparent
Material: PE
Replaceable spare part

②



Adapter with Centring-
hole for square
spindle extensions
Material: PE

③



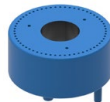
White pointer
Material: PE

④



Red marking pin (C)
Material: PA
Replaceable spare part

⑤



Body, lid with circle of
holes for marking-pins
Material: PE

⑥



Green marking pin (O)
Material: PA
Replaceable spare part

⑦



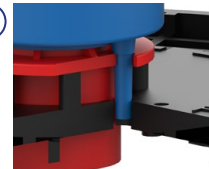
Yellow direction arrow
(anti-clockwise)
Material: PE
Replaceable spare part

⑧



Yellow direction arrow
(clockwise)
Material: PE
Replaceable spare part

⑨



Anchoring-pin for
protective-tube cap or
DALMINEX
supporting-plate
Material: PE



Mechanical position indicator, plastic



max. turns/ stroke	Inner-Square	Spindle extension	Article No.	Weight
81	□ 15 mm	DN40/50	13930	0.2 kg
81	□ 19 mm	DN65-150	13931	0.2 kg
81	□ 26 mm	DN175-300	13932	0.2 kg

DALMINEX installation system

DALMINEX support plate (suitable for position indicators)

Material	Article No.	Weight
Plastic	12601.01	14.0 kg



DALMINEX fixing disc suitable for DALMINEX support plate

Material	Article No.	Weight
Plastic	12602.01	1.16 kg



Surface box acc. to DIN 4056 Type 2

Material	Article No.	Weight
Plastic	4056-2.WK	12.1 kg



Full function and warranty through professional installation of the DALMINEX installation system.



Surface box DIN 4056 Type 2

Replaceable spare parts

Description	Article No.	Weight
Protective cover	13913.19	0.52 kg
Open/Close marking-pins, green/red	13933.01	0.01 kg
Direction arrow, yellow (anti-clockwise)	13933.02-L	0.01 kg
Direction arrow, yellow (clockwise)	13933.02-R	0.01 kg

Attention! DALMINEX position indicators cannot subsequently be installed on unprepared spindle extensions!

Subject to technical modifications!